

## ***SMW WDL Digital***



### ***Dual Band LNB with Low Phase Noise***

The WDL Digital is the optimized solution to receive the Low- & High Ku-Band simultaneously.

Comes standard with Low Phase Noise, Low Noise Figure and F- or N-connectors. Options include high LO stability, low gain, low output VSWR 1.55:1 and customized LOs.

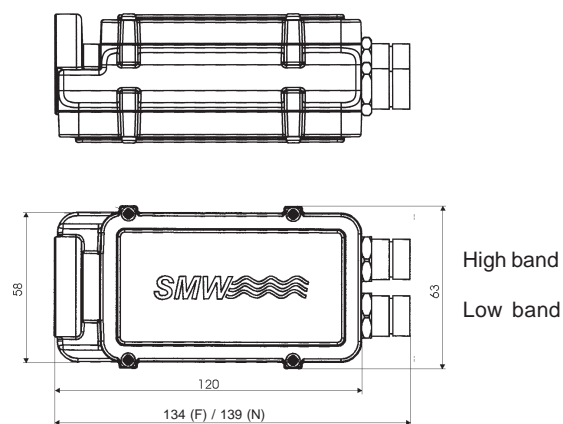
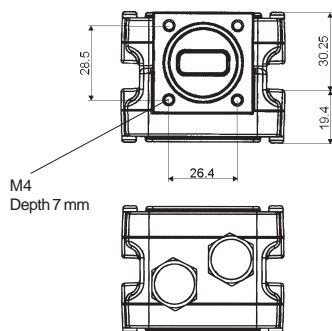
All our LNBs are individually hand tuned to get the very best performance available for each unit. Quality and long term reliability is also essential. Therefore are all LNBs tested according to a very extensive test program, which includes heating, cooling, water-proof testing and rigorous electrical testing.

Swedish Microwave (SMW) was founded 1986 and is today a leading manufacturer of professional LNBs (Low Noise Blockdownconverters) for the Ku-band market. The company is located in Motala Sweden, and to date the products are installed in more than 80 countries.

All In-house allows custom-design products, short delivery time, high flexibility, quick service and support.

# Specification SMW WDL Digital

SMW	WDL Digital type E	WDL Digital type B
Frequency range Low/High LO frequency	10.7 - 11.7 / 11.7 - 12.75 GHz 9.75 GHz (Low band) 10.6 GHz (High band)	10.95 - 11.7 / 11.7 - 12.75 GHz 10.0 GHz (Low band) 10.75 GHz (High band)
Output frequency	950 - 1950 MHz (Low band) 1100 - 2150 MHz (High band)	950 - 1700 MHz (Low band) 950 - 2000 MHz (High band)
Spurious signals in low band high band	-60 dBm typ. @ 1700 MHz -70 dBm typ. @ 1700 MHz	-60 dBm typ. @ 1500 MHz -70 dBm typ. @ 1500 MHz
<b>General Specification</b>		
Noise figure, typical	0.8 dB	
Gain typical	52 dB	
Gain variation max.	±4 dB/each band ±0.4 dB within 30 MHz	
LO stability (over temp.)	±3 MHz	
Age drifting	±500 kHz/year	
LO Phase noise typ.	-75 dBc @ 1 kHz -85 dBc @ 5 kHz -95 dBc @ 10 kHz -110 dBc @ 100 kHz -115 dBc @ >1 MHz	
LO radiation	-60 dBm	
Image rejection	50 dB min.	
1 dB gain compression point	+5 dBm	
IP3	+15 dBm	
DC power	12-24 V / 180 mA typ (the DC can be feed through any of the two connectors. The LNB chooses the output with the highest voltage input)	
Operating temperature	-30 to +60°C	
Storage temperature	-40 to +80°C	
Input flange	WR-75 waveguide	
Output connectors (waterproof)	F-connectors 75 ohm or N-connectors 50 ohm	
Output VSWR	2:1 max	
Dimensions	134 (139 N) x 58 x 50 mm	
Weight	587 g (F-connectors) 626 g (N-connectors)	
<b>Options</b>		
	High stability LO, ±1 MHz over temp.	
	High stability LO, ±1.5 MHz over temp.	
	High stability LO, ±2 MHz over temp.	
	Customized LOs. (E.g. 10.2 & 11.0 GHz)	
	Low gain	
	Low output VSWR, 1.55:1	
<b>Enclosed accessories</b>		
	O-ring	
	Screw M4 x 8 4 pcs	
	Small M4 key	



Box 230  
591 23 MOTALA, SWEDEN  
Tel. +46 141 21 61 35  
Fax. +46 141 21 52 24  
e-mail: info@smw.se  
Website: <http://www.smw.se>